

# SIGNAL ARRESTERS (25KA/40KA)

## SSP-25/40 Series



SSP-25/40 is Designed for DC signal line including 2-wire transmitters.

It absorbs the lightning surges that are transmitted in the DC signal wiring to insure the line potential will remain at a low voltage to prevent damage to electronic components. The unit is designed not to fall in the shortcircuit condition, thus protecting the equipment from any damage caused by short circuits.

- 2 stage protect construction
- Applied technique : Basis on ANSI / IEEE Category "A" / "C" IEC Category C1, C2, C3, D1
- Surge Suppression Voltage : under 30V(p-p)

### FEATURE

- APPLICATIONS : PROTECTION OF MEASUREING ENVIRONMENT MEASRUNG INSTRUMENTS FROM SURGE OR LIGHTNING INDUCED BY SIGNAL LINE.
- ADOPT ALL MATERIALS THAT ACQUIRED INTERNATIONAL SAFETY STANDARDS REGULATION LIKE UL, CE, CSA CERTIFICATE
- PROTECTION FUNCTION : Thermal & Short Circuit Fuse, 2-Stage Surge Protect Noise Filtering (EMI/RFI)
- APPLIED TECHNIQUE : BASE ON ANSI/IEEE Category "A"/"C"
- FOR USE : 4~20mA(DC24V) SIGNAL LINE
- MOUNTING : Rail Mounting type(Plug in type)
- MAIN PROTECT MATERIALS : MOV(Metal-oxide varistor)

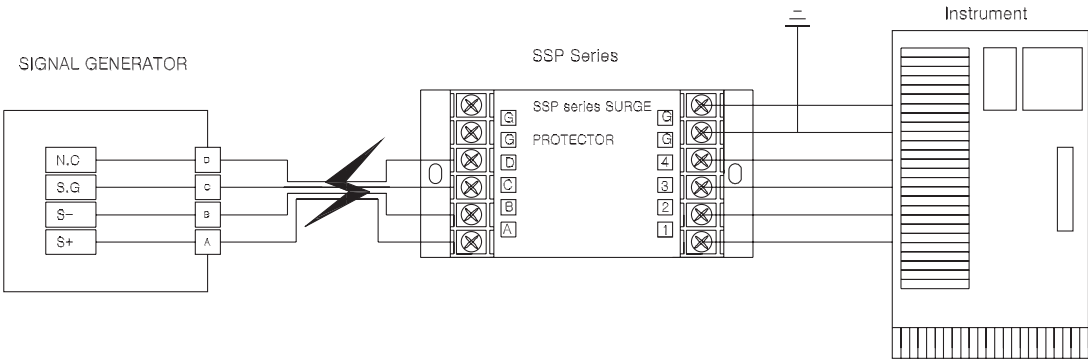
### Technical data

Model	SSP25-				SSP40-			
	26	28	30	68	26	28	30	68
Nominal voltage		DC24V		68VDC		DC24V		68VDC
Rated voltage	26VDC	28VDC	30VDC	70VDC	26VDC	28VDC	30VDC	70VDC
Nominal Discharge current(Mode:8*20 $\mu$ sec)		25KA			40KA			
Max Discharge current(Line:8*20 $\mu$ sec)		50KA			80KA			
Response time		$\leq 15$ nsec			$\leq 15$ nsec			
Clamping Voltage Rating				30V(p-p)				
Insulation Resistance				1000M $\Omega$				
Capacitance				1700pF				
Nominal load current				100mA				
Voltage protector level Up				$\leq 55$ V				
Max, Operating current(Leakage current)				100 $\mu$ A				
Temperature range				-40 $^{\circ}$ C to + 80 $^{\circ}$ C( $\pm 5^{\circ}$ C)				
Ip code				IP20/NEMA				
Dimension(mm)				W64xH131xD37(mm)				
Case material				Aluminum				
Weight				800g				
Mounting				Wall mounting Type				

# SIGNAL ARRESTER SSP-25/40

## TERMINAL CONNECTION

For effective GROUNDING use over 14AEG grade copper lines and the ground terminal must do not over 30cm between arrester and protect instrument.  
The instrument AC power also require to connect with surge arrester for protect form surge.



## DEMEINIONS (SCALE:mm)

